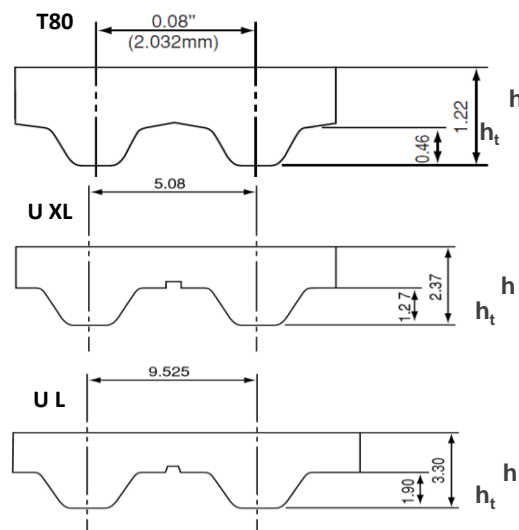
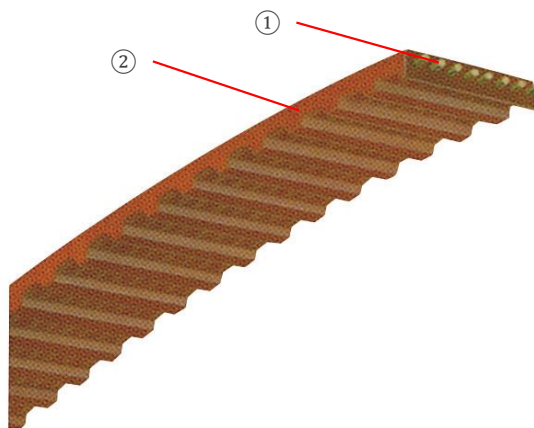


T80, U XL & U L



Product Information

Our standard rubber and polyurethane timing belts follow JIS and ISO standard. There is a variety of tooth profiles and size variations available with a wide product availability.



	T80	U XL	U L
Belt type	Polyurethane timing belt		
Tooth height h_t [mm]	0.46	1.27	1.90
Belt thickness h [mm]	1.22	2.37	3.30
① Cord	Aramid	Steel	
② Material	Polyurethane		
Heat resistance temperature [°C]	90		
Cold resistance temperature [°C]	-30		
Max. belt speed [m/s]	30		
Wear resistance	Good		
Electric conductivity	Yes		

Product Code

48-T80-185

48: No. of teeth T80: Tooth profile 185: Width (mm)

U 64XL720

U: Polyurethane 64: Belt length (inch x10) XL: Tooth profile 720: Width (Inch x100)